



**SPARE PARTS CATALOGUE  
ERSATZTEILKATALOG  
CATALOGUE PIECES DETACHEES  
CATALOGO PARTI RICAMBIO  
CATALOGO DE PIEZAS DE RECAMBIO  
CATALOGO PECAS, DE REPOSICAO**

Catalogo parti di ricambio valido  
dalla matricola 4376255 ad oggi (29/10/2021)

Catalogue pieces detachees  
du numero de Série n. 4376255 jusqu'à aujourd'hui (29/10/2021)

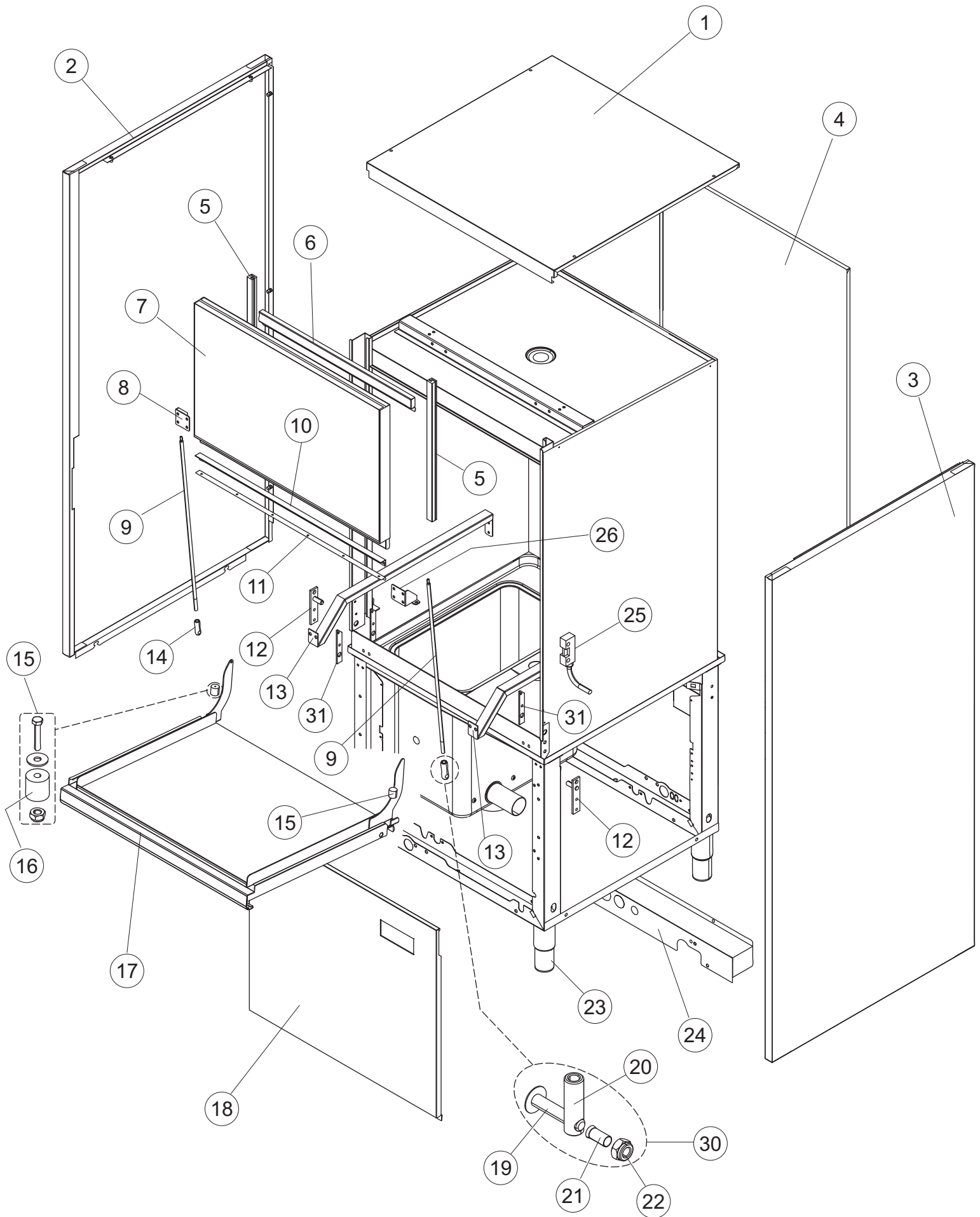
Ersatzteilkatalog  
gültig ab Serien-Nr. 4376255 bis heute (29/10/2021)

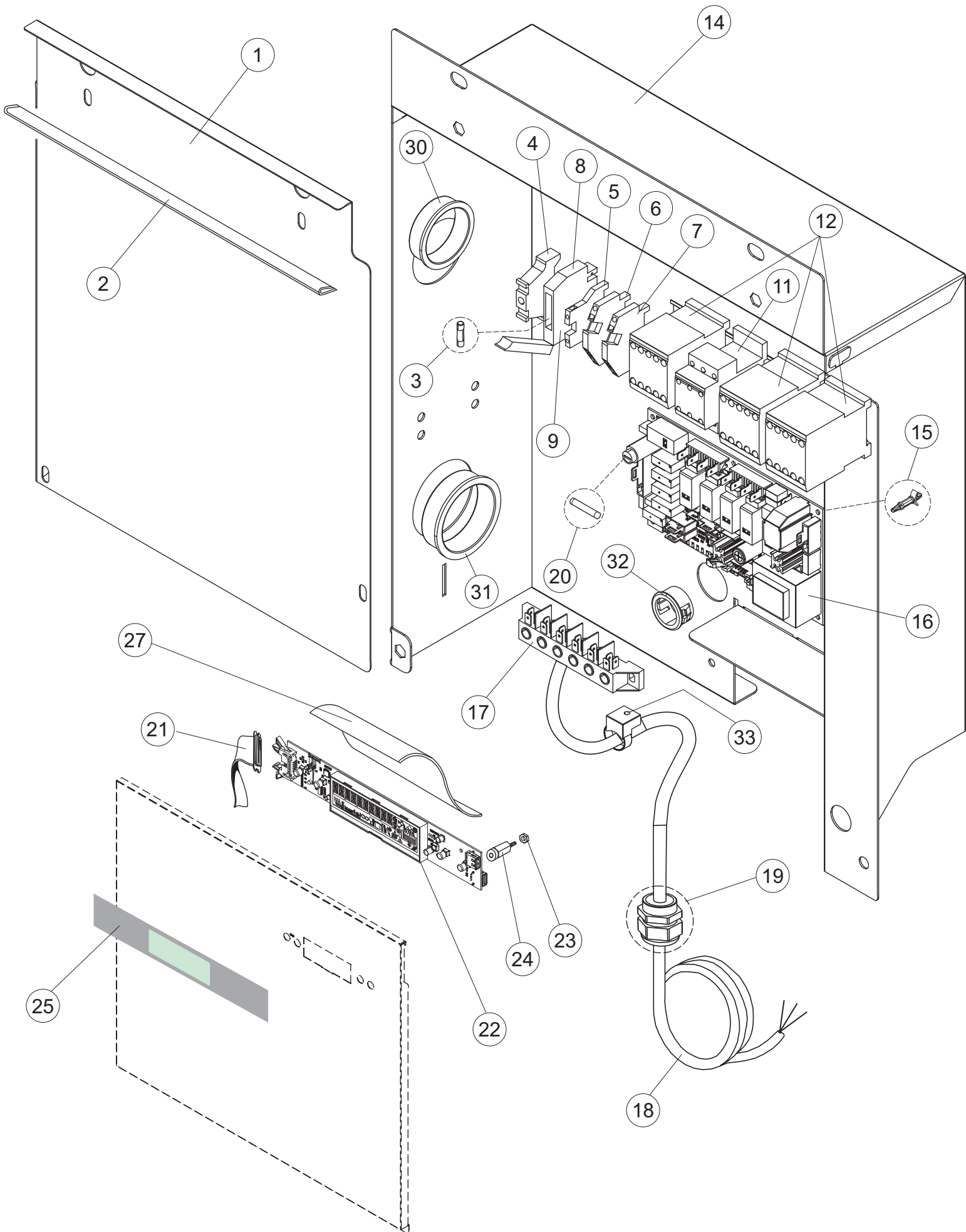
Spare parts catalogue  
valid from serial no. 4376255 up today (29/10/2021)

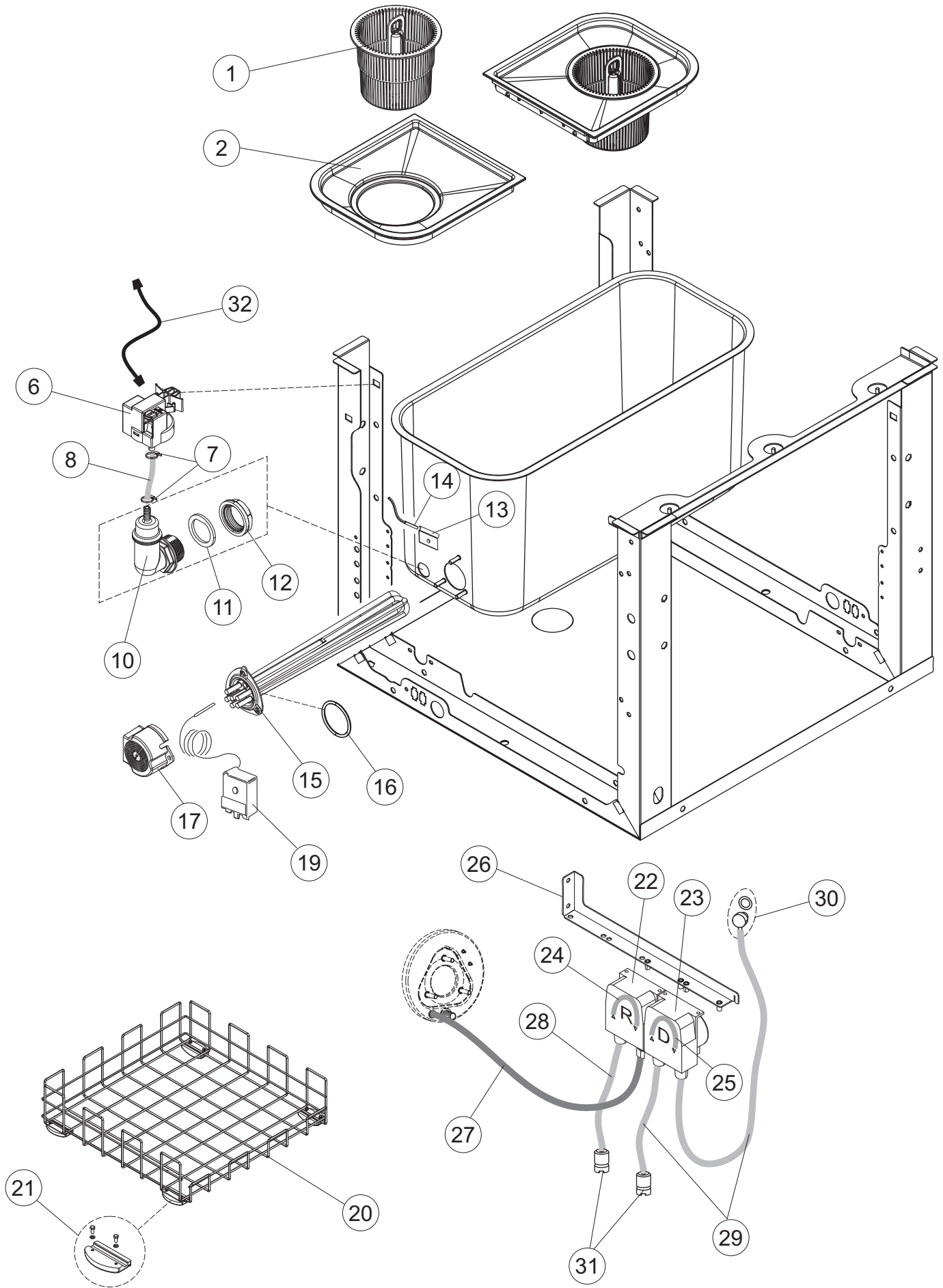
Catálogo de peças de reposição  
válido do número de série 4376255 até hoje (29/10/2021)

**LP6561**

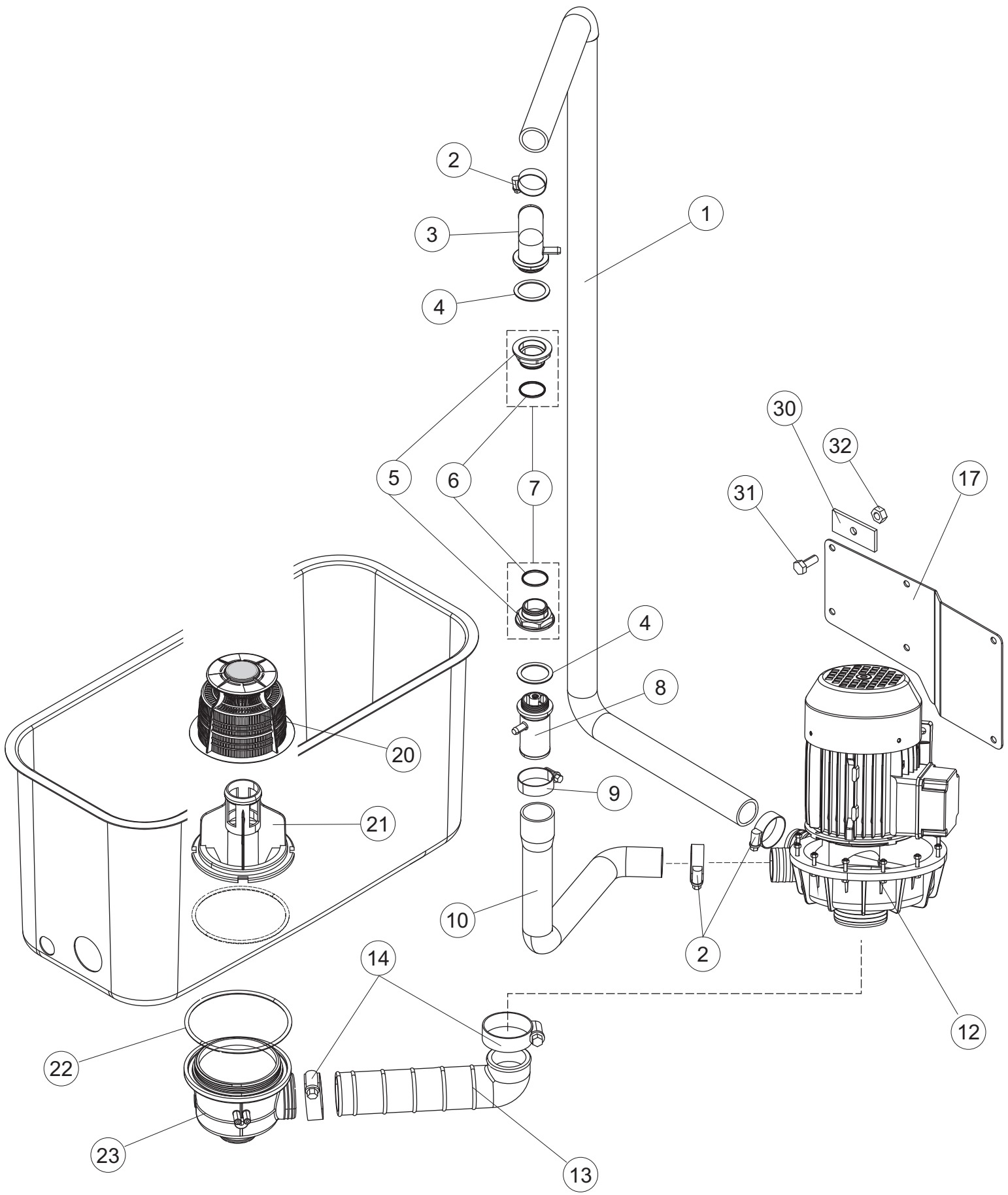
# 1



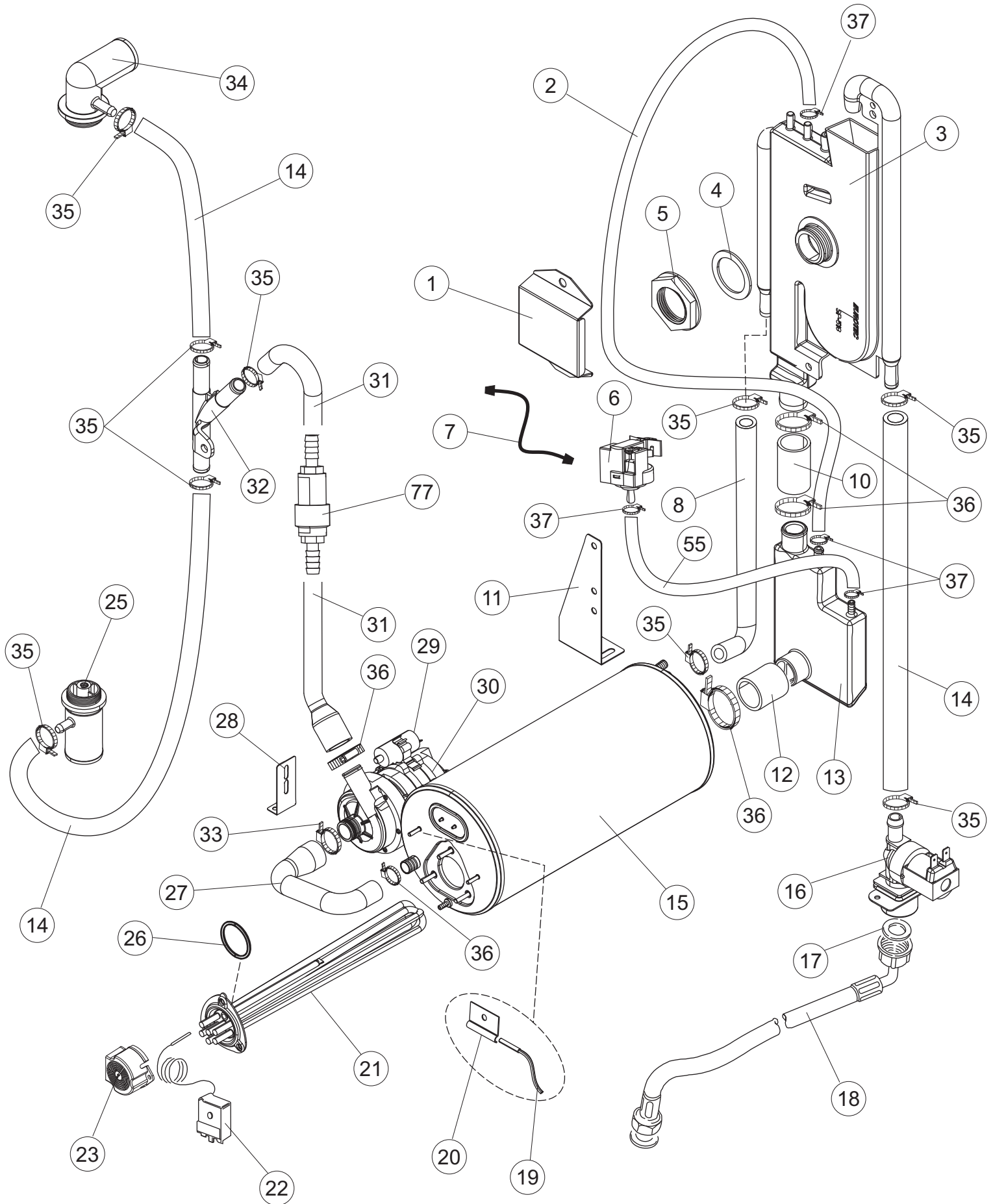




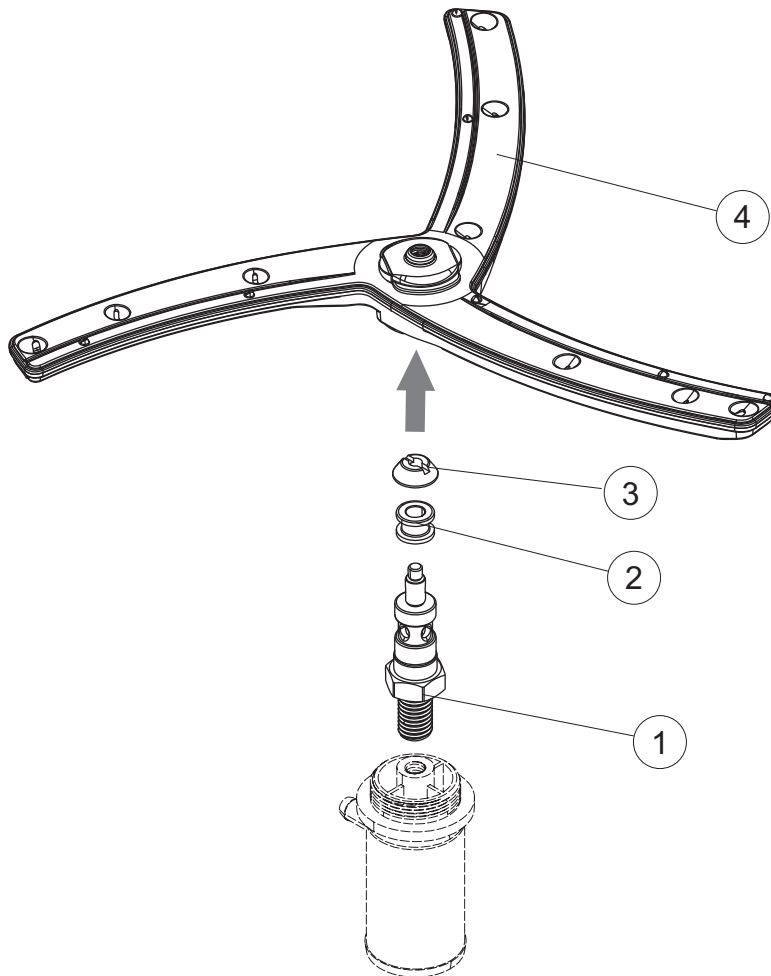
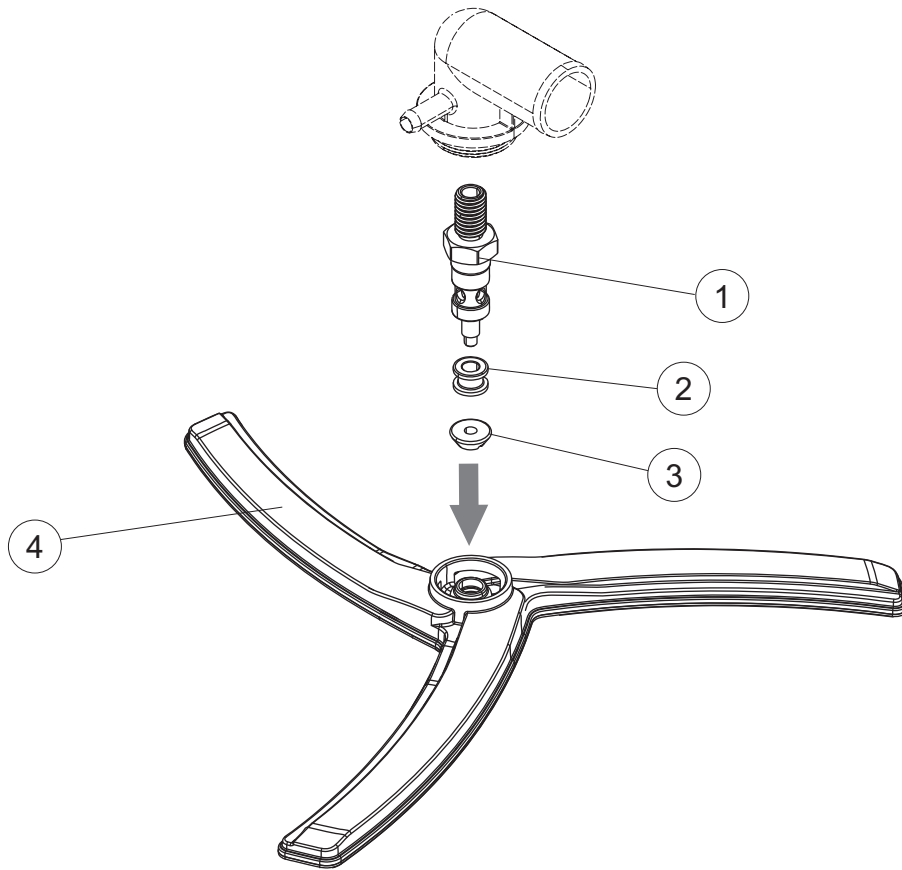
# 4

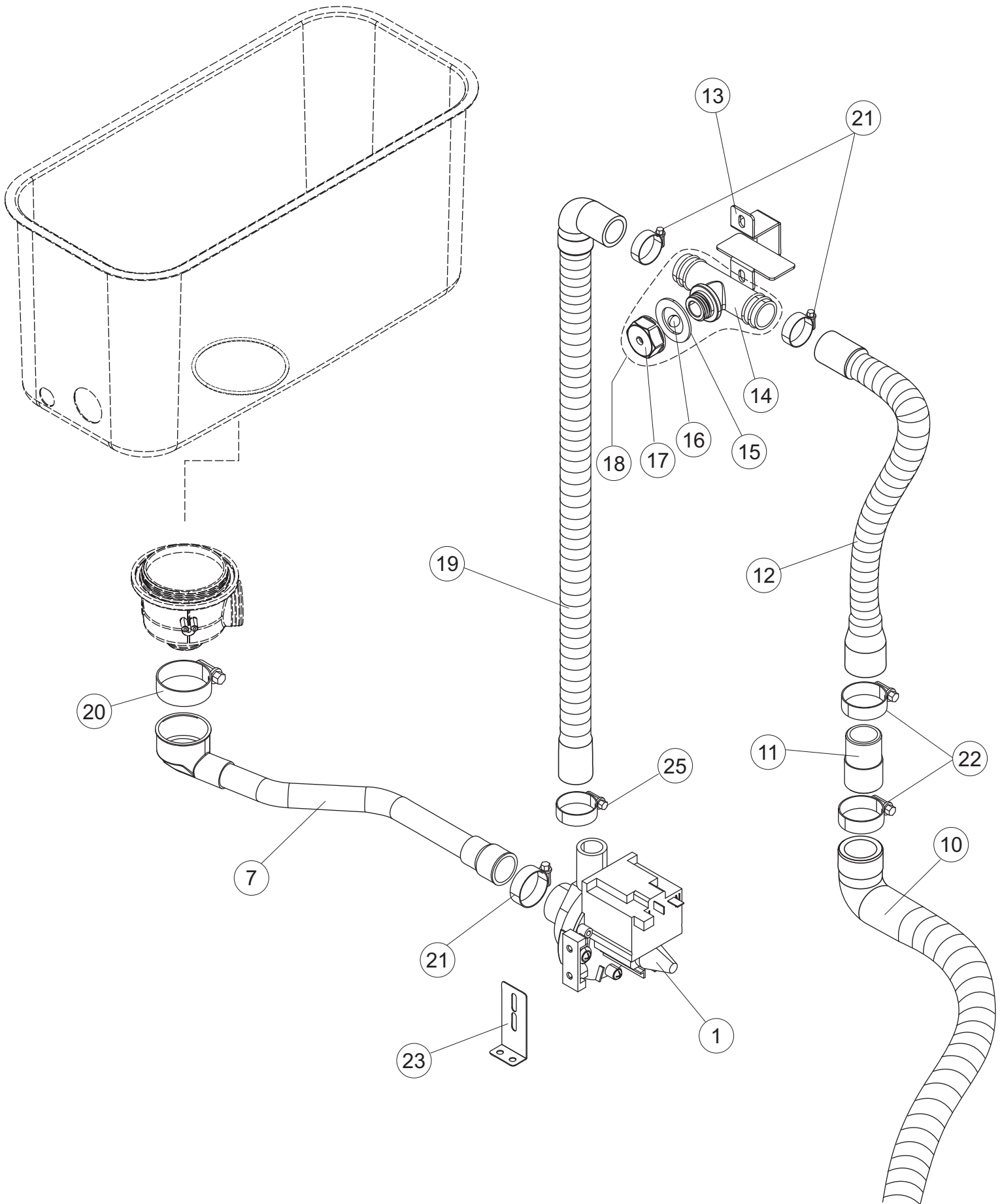


# 5



# 6

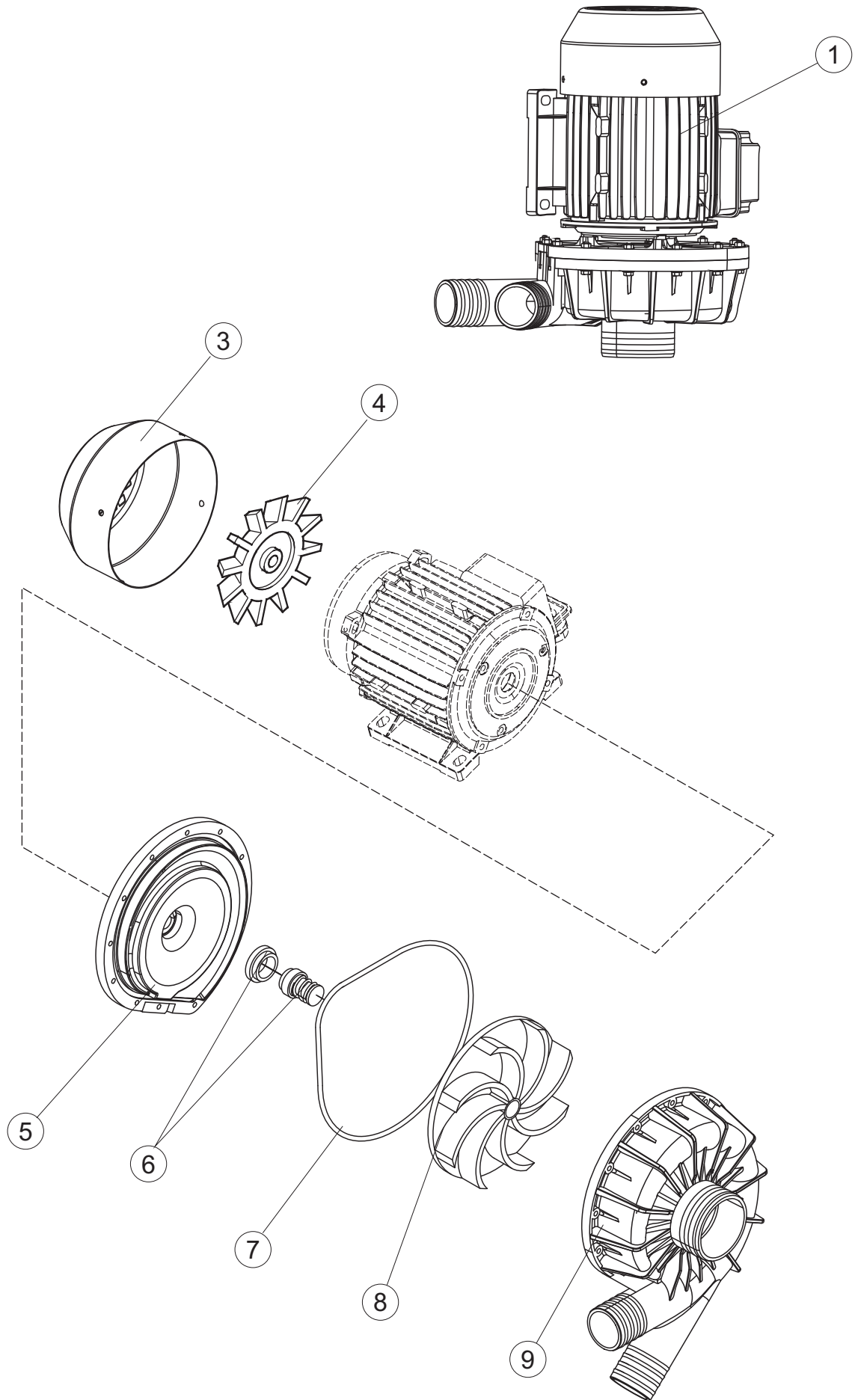




## DRAIN PUMP

MOD LP 6561





(\*) Recommended spare part.

| Page | Spare part position | Spare part code no. | Old code number | Description  | U.m. |
|------|---------------------|---------------------|-----------------|--|------|
| 1    | 1                   | 67138               |                 | PRICE TO BE DEFINED                                |      |
| 1    | 2                   | 67110               |                 | LEFT SIDE PANEL                                    | NR   |
| 1    | 3                   | 67114               |                 | RIGHT SIDE PANEL                                   | NR   |
| 1    | 4                   | 67122               |                 | BACK PANEL   | NR   |
| 1    | 5                   | 41038               |                 | DOOR SLIDING GUIDE - UPPER FOR POT AND P AN WASHER | NR   |
| 1    | 6                   | 41195               |                 | PART NUMBER NO LONGER AVAILABLE                    |      |
| 1    | 7                   | K67080              |                 | PRICE TO BE DEFINED                                |      |
| 1    | 8                   | 4108801             |                 | SUPPORT BRACKET                                    | NR   |
| 1    | 9                   | 4109301             |                 | DOOR TIE FOR POT AND PAN WASHERS                   | NR   |
| 1    | 10                  | 41583               |                 | DOOR GASKET  | NR   |
| 1    | 11                  | 41582               |                 | DOOR PACKING SUPPORT - UPPER                       | NR   |
| 1    | 12                  | 4114501             |                 | SMALL PLATE FOR DOOR PIN                           | NR   |
| 1    | 13                  | 41539               |                 | RACK SLIDE   | NR   |
| 1    | 14                  | K41095              |                 | UPPER BUSH FOR DOOR TIE                            | NR   |
| 1    | 15                  | K80105LP            |                 | PARE-CHOCS HOOD TYPE                               | NR   |
| 1    | 16                  | 80105               |                 | HOOD / DOOR STOP                                   | NR   |
| 1    | 17                  | 41570               |                 | LOWER DOOR   | NR   |
| 1    | 18                  | 67427               |                 | FRONT PANEL  | NR   |
| 1    | 19                  | 486078              |                 | STAINLESS STEEL SCREW 6MAX30 T.1/2 TC              | NR   |
| 1    | 20                  | 41095               |                 | UPPER BUSH FOR DOOR TIE FOR POT AND PAN WASHERS    | NR   |
| 1    | 21                  | DZT7981             |                 | PRICE TO BE DEFINED (PART NR. REPLACED BY 926265)  |      |
| 1    | 22                  | CDI206AU            |                 | NUT - SELF-LOCK                                    | NR   |
| 1    | 23                  | 927006              |                 | FOOT   | NR   |
| 1    | 24                  | 67622               |                 | BACK PANEL   | NR   |
| 1    | 25                  | 80871               |                 | MAGNETIC DOOR SWITCH                               | NR   |
| 1    | 26                  | 4108701             |                 | DOOR BRACKET                                       | NR   |
| 1    | 30                  | K41095              |                 | UPPER BUSH FOR DOOR TIE                            | NR   |
| 1    | 31                  | 4113501             |                 | DOOR SIDE THICKNESS - DX/SX                        | NR   |
| 2    | 1                   | 67069               |                 | COVER  | NR   |
| 2    | 2                   | K67061              |                 | SEAL   | NR   |
| 2    | 3                   | 228014              |                 | PRICE TO BE DEFINED (PART NR. REPLACED BY 228010)  |      |
| 2    | 3                   | 228010              |                 | FUSE   | NR   |

(\*) Recommended spare part.

| Page | Spare part position | Spare part code no. | Old code number | Description   | U.m. |
|------|---------------------|---------------------|-----------------|---|------|
| 2    | 4                   | 75817               |                 | ELECTRICAL CONNECTOR FOR U-SHAPED BAR                         | NR   |
| 2    | 5                   | 927114              |                 | TERMINAL BLOCK  | NR   |
| 2    | 6                   | 74938               |                 | TERMINAL  | NR   |
| 2    | 7                   | 74939               |                 | TERMINAL  | NR   |
| 2    | 8                   | 74935               |                 | FUSE-HOLDER   | NR   |
| 2    | 9                   | H.228048            |                 | PRICE TO BE DEFINED   |      |
| 2    | 11                  | 73351               |                 | CONTACTOR   | NR   |
| 2    | 12                  | 73350               |                 | CONTACTOR   | NR   |
| 2    | 14                  | 67066               |                 | PANEL   | NR   |
| 2    | 15                  | CWP2                |                 | FOOT  | NR   |
| 2    | 16                  | 215042-9            |                 | MAIN BOARD GET50.2 ELETTRONICA J                              | NR   |
| 2    | 17                  | 220011              |                 | TERMINAL BLOCK  | NR   |
| 2    | 18                  | 69803               |                 | POWER CABLE   | NR   |
| 2    | 19                  | 75991               |                 | CABLE GLAND   | NR   |
| 2    | 20                  | 228010              |                 | FUSE  | NR   |
| 2    | 21                  | 80934               |                 | FLAT CABLE  | NR   |
| 2    | 22                  | 74905V              |                 | CONTROL KEYBOARD  | NR   |
| 2    | 23                  | 417119              |                 | NUT   | NR   |
| 2    | 24                  | 419036              |                 | INTERFACE BOARD DISTANCE KEEPERS                              | NR   |
| 2    | 25                  | 67827               |                 | PRICE TO BE DEFINED   |      |
| 2    | 27                  | 80732               |                 | PROTECTIVE SHEET  | NR   |
| 2    | 30                  | 70270               |                 | BUSH  | NR   |
| 2    | 31                  | 69076               |                 | BUSH  | NR   |
| 2    | 32                  | 70270               |                 | BUSH  | NR   |
| 2    | 33                  | 80831               |                 | HOSE CLAMP  | NR   |
| 3    | 1                   | 70159               |                 | TANK STRAINER BASKET  | NR   |
| 3    | 2                   | 77540               |                 | STAINER   | NR   |
| 3    | 3                   | 75661               |                 | PUMP ASPIRATION FILTER  | NR   |
| 3    | 4                   | 42092               |                 | ASPIRATION FILTER SLIDE                                       | NR   |
| 3    | 5                   | 472061              |                 | PART NUMBER NO LONGER AVAILABLE                               |      |
| 3    | 6                   | 224031              |                 | PRESSURE SWITCH   | NR   |
| 3    | 7                   | 423011              |                 | PART NUMBER NO LONGER AVAILABLE (PART NR. REPLACED BY 423028) |      |

(\*) Recommended spare part.

| Page | Spare part position | Spare part code no. | Old code number | Description                                      | U.m. |
|------|---------------------|---------------------|-----------------|--|------|
| 3    | 7                   | 423028              |                 | HOSE CLAMP                                       | NR   |
| 3    | 8                   | 143235              |                 | PIPE   | MT   |
| 3    | 10                  | 70600               |                 | AIR TRAP FOR PRESSURE SWITCH                     | NR   |
| 3    | 11                  | 437098              |                 | GASKET   | NR   |
| 3    | 12                  | 417120              |                 | NUT  | NR   |
| 3    | 13                  | H.775489-001        |                 | SUPPORT TEMPERATURE PROBE                        | NR   |
| 3    | 14                  | 231016              |                 | TEMPERATURE PROBE                                | NR   |
| 3    | 15                  | 74088               |                 | HEATING ELEMENT                                  | NR   |
| 3    | 16                  | 456002              |                 | O-RING   | NR   |
| 3    | 17                  | 69870               |                 | BOILER HEATING ELEMENT PROTECTION                | NR   |
| 3    | 19                  | 67870               |                 | THERMOSTAT                                       | NR   |
| 3    | 20                  | 41305               |                 | STAINLESS STEEL BASIC RACK                       | NR   |
| 3    | 21                  | K41400              |                 | KIT RACK SLIDING BLOCKS                          | NR   |
| 3    | 22                  | 209042              |                 | DOSING PUMP                                      | NR   |
| 3    | 23                  | 209043              |                 | DETERGENT DOSING PUMP                            | NR   |
| 3    | 24                  | 143261              |                 | HOSE   | NR   |
| 3    | 25                  | 143258              |                 | "SANTOPRENE" PIPE                                | NR   |
| 3    | 26                  | 67042               |                 | SUPPORT BRACKET                                  | NR   |
| 3    | 27                  | 143005              |                 | LINEN RUBBER PIPE 5X12 - BLACK                   | MT   |
| 3    | 28                  | H.775601            |                 | PIPE   | MT   |
| 3    | 29                  | 143194              |                 | PIPE   | MT   |
| 3    | 30                  | 999348              |                 | DETERGENT TANK FITTING                           | NR   |
| 3    | 31                  | 121993              |                 | FILTER AID DISPENSER                             | NR   |
| 3    | 32                  | 203425-1            |                 | WIRING   | NR   |
| 4    | 1                   | 67019               |                 | SLEEVE   | NR   |
| 4    | 2                   | CFS1A               |                 | HOSE CLAMP                                       | NR   |
| 4    | 3                   | 67180               |                 | PIPE FITTING                                     | NR   |
| 4    | 4                   | 80182               |                 | GASKET   | NR   |
| 4    | 5                   | 80281               |                 | PRICE TO BE DEFINED (PART NR. REPLACED BY 80285) |      |
| 4    | 5                   | 80285               |                 | RING NUT   | NR   |
| 4    | 6                   | 303032              |                 | INOX RING  | NR   |
| 4    | 7                   | 80285               |                 | RING NUT   | NR   |

(\*) Recommended spare part.

| Page | Spare part position | Spare part code no. | Old code number | Description   | U.m. |
|------|---------------------|---------------------|-----------------|---|------|
| 4    | 8                   | 67179               |                 | PIPE FITTING  | NR   |
| 4    | 9                   | CFS2                |                 | CLAMP, TORRO W1/W2B 50-70/12                        | NR   |
| 4    | 10                  | 67004               |                 | PIPE  | NR   |
| 4    | 12                  | 70100               |                 | WASHPUMP  | NR   |
| 4    | 13                  | 80186               |                 | SUCTION PIPE  | NR   |
| 4    | 14                  | CFS3                |                 | CLAMP, HOSE-TYPE TORRO W2B 60-80/12                 | NR   |
| 4    | 16                  | 67592               |                 | SUCTION PIPE  | NR   |
| 4    | 17                  | 67002               |                 | SUPPORT BRACKET                                     | NR   |
| 4    | 20                  | 121115              |                 | DRAIN PUMP FILTER                                   | NR   |
| 4    | 21                  | 80470               |                 | PRICE TO BE DEFINED (PART NR. REPLACED BY 429038)   |      |
| 4    | 21                  | 429038              |                 | RING NUT  | NR   |
| 4    | 22                  | 456040              |                 | O-RING  | NR   |
| 4    | 23                  | 136020              |                 | ASPIRATION AND DRAIN BODY                           | NR   |
| 4    | 30                  | 926064              |                 | SEAL DAMPENS VIBRATIONS                             | NR   |
| 4    | 31                  | CVZ124F             |                 | SCREW   | NR   |
| 4    | 32                  | CDZ208R             |                 | PRICE TO BE DEFINED (PART NR. REPLACED BY 417087)   |      |
| 4    | 32                  | 417087              |                 | NUT   | NR   |
| 5    | 1                   | 43527               |                 | GUARD   | NR   |
| 5    | 2                   | H.165168            |                 | PIPE  | MT   |
| 5    | 3                   | 999372              |                 | BREAK TANK + HOSE                                   | NR   |
| 5    | 4                   | 437104              |                 | GASKET  | NR   |
| 5    | 5                   | 417125              |                 | NUT   | NR   |
| 5    | 6                   | 224031              |                 | PRESSURE SWITCH                                     | NR   |
| 5    | 7                   | 87111               |                 | ELECTRIC WIRING FOR PRESSURE SWITCH                 | NR   |
| 5    | 8                   | 143004              |                 | PIPE  | MT   |
| 5    | 10                  | 929171              |                 | RUBBER PIPE 20X29                                   | MT   |
| 5    | 11                  | 42616               |                 | BOILER BRACKET                                      | NR   |
| 5    | 12                  | 127095              |                 | BOILER PIPE   | NR   |
| 5    | 13                  | 144032              |                 | LOADING SYSTEM BOILER CRP WITH BELL PRESSURE SWITCH | NR   |
| 5    | 14                  | 143004              |                 | PIPE  | MT   |
| 5    | 15                  | 67900               |                 | BOILER  | NR   |
| 5    | 16                  | 240018              |                 | SOLENOID VALVE                                      | NR   |

(\*) Recommended spare part.

| Page | Spare part position | Spare part code no. | Old code number | Description                       | U.m. |
|------|---------------------|---------------------|-----------------|-----------------------------------|------|
| 5    | 17                  | 437041              |                 | GASKET                            | NR   |
| 5    | 18                  | 143277              |                 | INLET HOSE                        | NR   |
| 5    | 19                  | 231016              |                 | TEMPERATURE PROBE                 | NR   |
| 5    | 20                  | H.775489-001        |                 | SUPPORT TEMPERATURE PROBE         | NR   |
| 5    | 21                  | 230083C             |                 | HEATING ELEMENT 6KW               | NR   |
| 5    | 22                  | K67875              |                 | PRICE TO BE DEFINED               |      |
| 5    | 23                  | 69870               |                 | BOILER HEATING ELEMENT PROTECTION | NR   |
| 5    | 25                  | 67179               |                 | PIPE FITTING                      | NR   |
| 5    | 26                  | 456002              |                 | O-RING                            | NR   |
| 5    | 27                  | 69068               |                 | PIPE                              | NR   |
| 5    | 28                  | 80712               |                 | BRACKET                           | NR   |
| 5    | 29                  | 206013              |                 | CAPACITOR                         | NR   |
| 5    | 30                  | 80627               |                 | RINSE PUMP 50 HZ                  | NR   |
| 5    | 31                  | 73270               |                 | RINSE DELIVERY HOSE (L. 2050MM)   | NR   |
| 5    | 32                  | 143268              |                 | JUNCTION "Y"                      | NR   |
| 5    | 33                  | CFS25               |                 | CLAMP 25-40 W1                    | NR   |
| 5    | 34                  | 67180               |                 | PIPE FITTING                      | NR   |
| 5    | 35                  | 927322              |                 | HOSE CLAMP                        | NR   |
| 5    | 36                  | CFS18               |                 | HOSE CLAMP                        | NR   |
| 5    | 37                  | 423026              |                 | CABLE TIE                         | NR   |
| 5    | 55                  | 143235              |                 | PIPE                              | MT   |
| 5    | 77                  | K74214CD            |                 | KIT VNR YURI 3/4"                 | NR   |
| 6    | 1                   | 325132              |                 | PIVOT                             | NR   |
| 6    | 2                   | 308039              |                 | PLASTIC ARM BUSH                  | NR   |
| 6    | 3                   | 454007              |                 | PIN                               | NR   |
| 6    | 4                   | 990165              |                 | RINSE AND WASH ARM                | NR   |
| 7    | 1                   | 999363              |                 | DRAIN PUMP90- V 220/240- F50      | NR   |
| 7    | 7                   | 127056              |                 | PUMP ASPIRATION SLEEVE            | NR   |
| 7    | 10                  | 143252              |                 | DRAIN HOSE                        | NR   |
| 7    | 11                  | 70167               |                 | DRAIN CONNECTION                  | NR   |
| 7    | 12                  | 70110               |                 | DRAIN HOSE                        | NR   |
| 7    | 13                  | 80637               |                 | SUPPORT BRACKET                   | NR   |

(\*) Recommended spare part.

| Page | Spare part position | Spare part code no. | Old code number | Description                     | U.m. |
|------|---------------------|---------------------|-----------------|---------------------------------|------|
| 7    | 14                  | 144024              |                 | VENT VALVE                      | NR   |
| 7    | 15                  | 437083              |                 | GASKET                          | NR   |
| 7    | 16                  | 476008              |                 | SPHERE                          | NR   |
| 7    | 17                  | 468199              |                 | PIPE FITTING                    | NR   |
| 7    | 18                  | 73576               |                 | SP2 VENT VALVE                  | NR   |
| 7    | 19                  | 80702               |                 | DRAIN HOSE                      | NR   |
| 7    | 20                  | CFS1A               |                 | HOSE CLAMP                      | NR   |
| 7    | 21                  | CFS18               |                 | HOSE CLAMP                      | NR   |
| 7    | 22                  | CFS1                |                 | HOSE CLAMP                      | NR   |
| 7    | 23                  | 80712               |                 | BRACKET                         | NR   |
| 7    | 25                  | CFS18               |                 | HOSE CLAMP                      | NR   |
| 8    | 1                   | 70100               |                 | WASHPUMP                        | NR   |
| 8    | 3                   | 70940               |                 | ELECTROPUMP FAN COVER           | NR   |
| 8    | 4                   | 70939               |                 | WASHPUMP FUN                    | NR   |
| 8    | 5                   | 70941               |                 | PART NUMBER NO LONGER AVAILABLE |      |
| 8    | 6                   | 70942               |                 | WASHPUMP SHAFT SEAL             | NR   |
| 8    | 7                   | 70943               |                 | O-RING                          | NR   |
| 8    | 8                   | 70944               |                 | ELECTROPUMP IMPELLER            | NR   |
| 8    | 9                   | 70945               |                 | ELECTROPUMP HOUSING             | NR   |